

Concealed Cisterns and Flush Plates

VitrA

VitrA Concealed Cistern developed with high technology undergoes quality, performance and reliability tests such as strength and stability, durability, resistance to temperature fluctuations, and resistance to frost and water contraction.



Leak test

All products undergo the leak test with water filled into the cisterns at VitrA facilities.



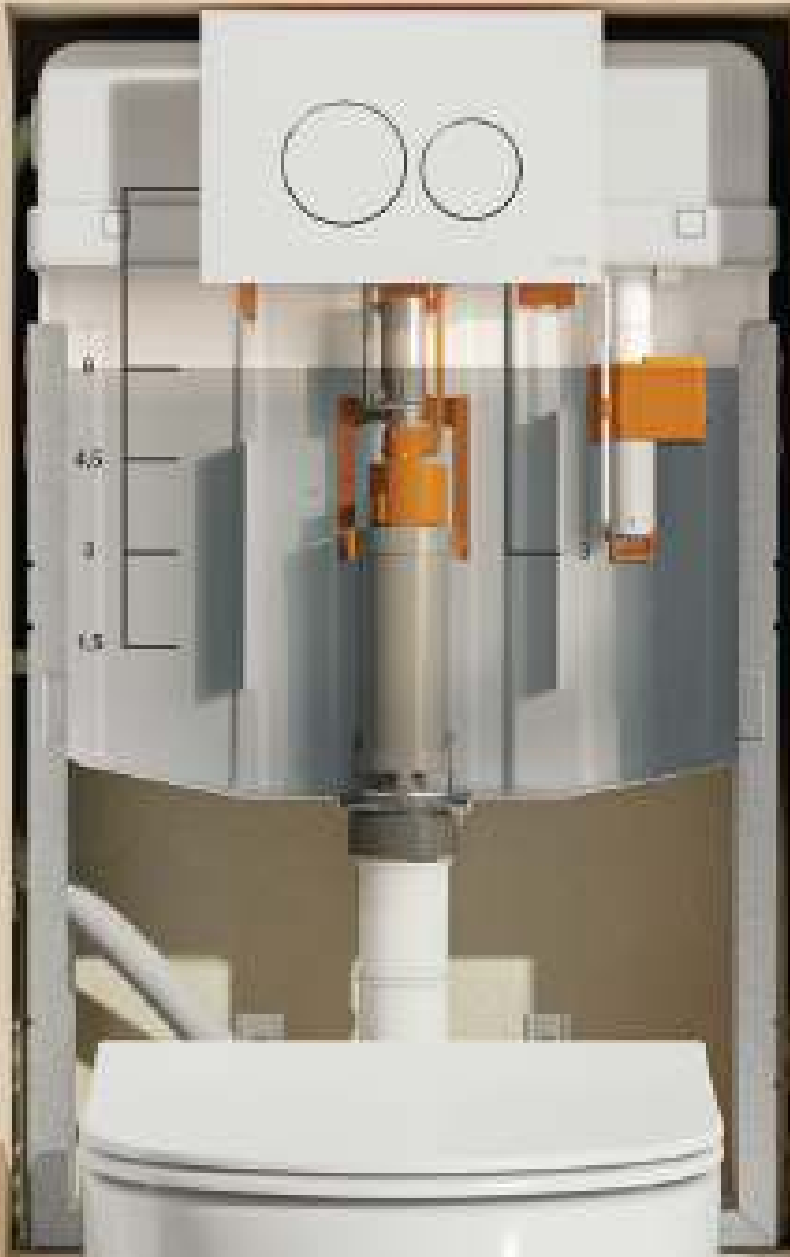
Function test

All products undergo functionality testing at VitrA production facilities and all functions are checked.



Life test

One of the most important measure of quality is longevity. VitrA Concealed Cistern products undergo world-class life tests. No part should stop performing even after 200,000 consecutive uses.



Weight test

Cisterns used with wall-mounted WC pans should support not only the user but also the force exerted by the person. Built-in cisterns are specially designed in laboratories and tested up to 500kg.



Flow test

Discharge rate and water levels are very important for thorough cleaning. Therefore VitrA laboratories perform tests at regular intervals with international standard flow rates (2L/sec).



Overflow test

The part that acts as a safety valve in the discharge mechanism is the overflow pipe. This pipe is tested over and over again at different pressures, with incoming water at different intervals.

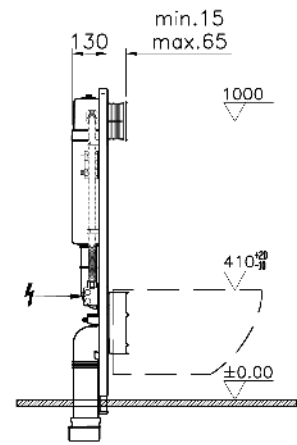
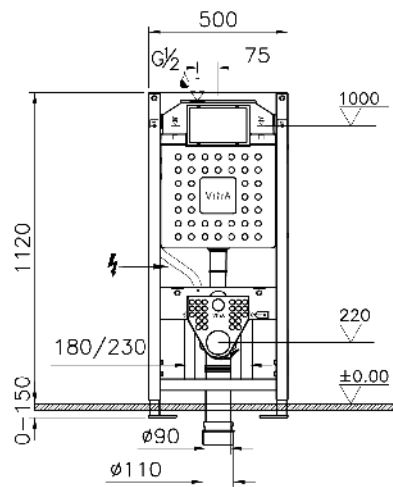
Concealed Cisterns

VitrA's Concealed Frame Systems • —

Our concealed cisterns are designed for wall-hung WC pans and come in a wide selection of models, colours, and materials.

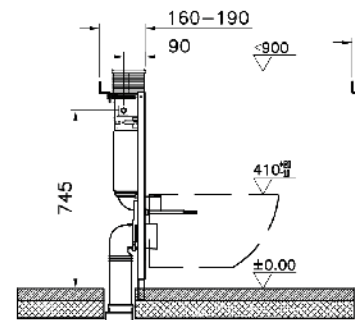
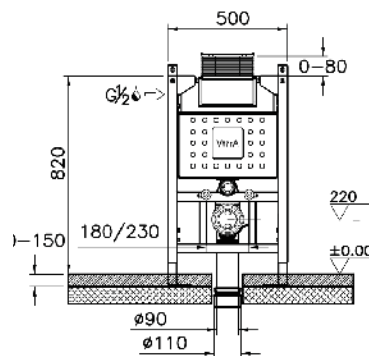
V12 Concealed Cistern WC Frame for wall-hung WC pans

Suitable for wall-hung WC Pans
 Front operated
 Dual Flush
 Min. wall mounting depth is 130 mm



Vuni Concealed Cistern WC Frame for wall-hung WC pans

Suitable for wall-hung WC Pans
 Top operated
 Dual Flush
 Min. wall mounting depth is 160 mm

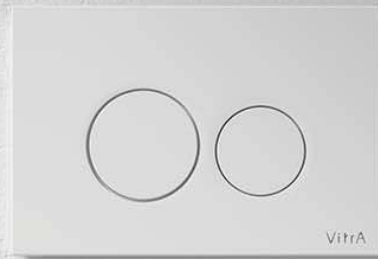


Voyage Flush Plate White | 1740-1900
Memoria Rim-ex wall hung WC Pan White | 5885B403-0101
Voyage Roll Holder Taupe | A4479355



VitrA

Origin Flush Plate White | 740-1600
Plural Rim-ex wall hung WC Pan White | 7830B403-0075
Origin Roll Holder Copper | A4488726
Origin Brush Holder Copper | A4489326



Vitra

Flush Plates

VitrA's Flush Plates • —

Our range of toilet flush plates are designed to perfectly complement our space saving and eco-friendly concealed cisterns. Offered in a wide array of styles, colours and finishes you are sure to find a flush button system that seamlessly integrates into and enhances the look of your bathroom space.



740-2180
Liquid Flush Plate
Chrome
Mechanically controlled
Metal



740-2101
Liquid Flush Plate
Glossy Black
Mechanically controlled
Metal



740-1600
Origin Flush Plate
White
Mechanically controlled
Tempered Glass



740-1601
Origin Flush Plate
Black
Mechanically controlled
Tempered Glass



740-1602
Origin Flush Plate
Taupe
Mechanically controlled
Tempered Glass



740-1603
Origin Flush Plate
Mink
Mechanically controlled
Tempered Glass



740-1100
Select Flush Plate
White
Mechanically controlled
Tempered Glass



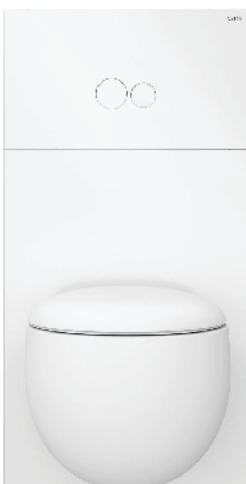
740-1101
Select Flush Plate
Black
Mechanically controlled
Tempered Glass



740-1121
Select Flush Plate
Chrome
Mechanically controlled
Tempered Glass



740-1120
Select Flush Plate
Gold
Mechanically controlled
Tempered Glass



740-1900
Voyage Flush Plate
White
Mechanically controlled
Tempered Glass



740-1901
Voyage Flush Plate
Black
Mechanically controlled
Tempered Glass



740-1902
Voyage Flush Plate
Taupe
Mechanically controlled
Tempered Glass

Flush Plates



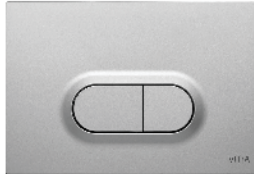
740-0500
Loop O Flush Plate
Shiny White
Mechanically controlled
ABS, plastic main body



740-0511
Loop O Flush Plate
Matt Black
Mechanically controlled
ABS, plastic main body



740-0580
Loop O Flush Plate
Chrome plated
Mechanically controlled
ABS, plastic main body



740-0586
Loop O Flush Plate
Antifingerprint-Bacteria
protection - Matt Chrome
Mechanically controlled
ABS, plastic main body



740-0940
Loop O Flush Plate
Stainless steel
Mechanically controlled



740-0411
Sirius Flush Plate
Matt Black
Mechanically controlled
ABS, plastic main body



740-0480
Sirius Flush Plate
Chrome Plated
Mechanically controlled
ABS, plastic main body



740-0424
Sirius Flush Plate
Gold
Mechanically controlled
ABS, plastic main body



740-0485
Sirius Flush Plate
Matt Chrome plated
Mechanically controlled
ABS, plastic main body



740-0486
Sirius Flush Plate
Antifingerprint-Bacteria
protection - Matt chrome
Mechanically controlled
ABS, plastic main body



740-0600
Loop R Flush Plate
Shiny White
Mechanically controlled
ABS, plastic main body



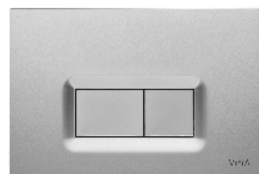
740-0611
Loop R Flush Plate
Matt Black
Mechanically controlled
ABS, plastic main body



740-0680
Loop R Flush Plate
Chrome Plated
Mechanically controlled
ABS, plastic main body



740-0685
Loop R Flush Plate
Matt Chrome plated
Mechanically controlled
ABS, plastic main body



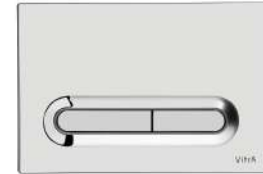
740-0686
Loop R Flush Plate
Antifingerprint-Bacteria
protection - Matt chrome
Mechanically controlled
ABS, plastic main body



740-0700
Loop T Flush Plate
Shiny White
Mechanically controlled
ABS, plastic main body



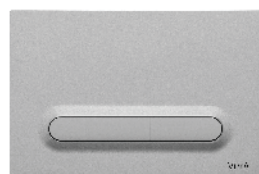
740-0711
Loop T Flush Plate
Matt Black
Mechanically controlled
ABS, plastic main body



740-0780
Loop T Flush Plate
Chrome Plated
Mechanically controlled
ABS, plastic main body



740-0785
Loop T Flush Plate
Matt Chrome plated
Mechanically controlled
ABS, plastic main body



740-0786
Loop T Flush Plate
Antifingerprint-Bacteria
protection - Matt chrome
Mechanically controlled
ABS, plastic main body

FUTAR

NATURAL STONE • TILES • BATHROOM • QUARTZ

Head Office / Showroom:
19 Changi North Way, S(498786)

www.futar.com.sg
enquiry@futar.com.sg
Tel: (+65) 6543 3818
Whatsapp: (+65) 9794 4134



@futar_sg